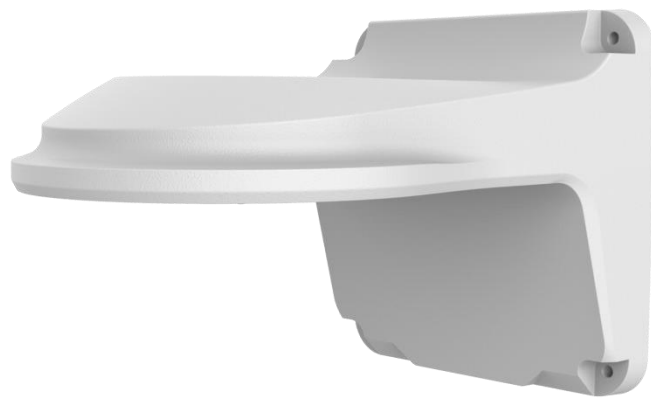


Fixed Dome Mount

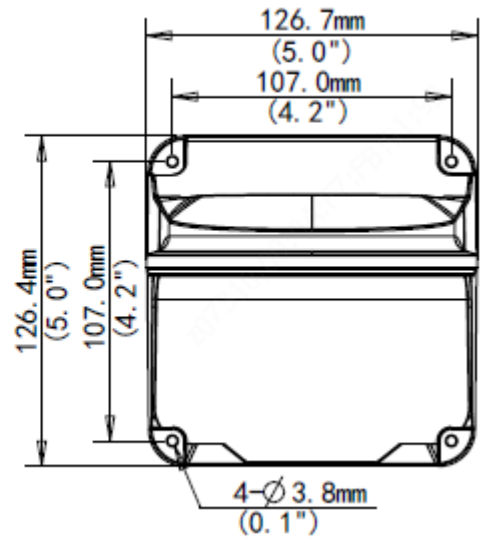
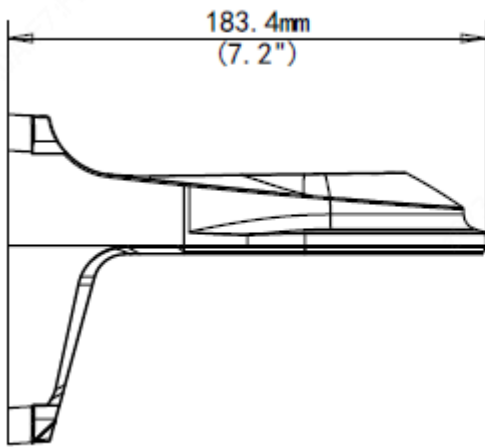
TR-WM03-D-IN



Specifications

Bracket	TR-WM03-D-IN
Application	Wall installation for IPC32X series
Dimensions	183.4mmx126.7mmx126.4mm (4.96" x5" x7.20")
Weight	0.52kg(1.15lb)
Material	Aluminum alloy

Dimensions



www.uniview.com/uniarch

©2019 Zhejiang Uniview Technologies Co., Ltd. All rights reserved.

*Product specifications and availability are subject to change without notice.